



Cast steel "Y" strainer, PN 64



Art. 464

Perforation DN 25/80 0,8mm, DN 100/200 1,0mm, DN 250/400 1,6mm.

Flanges: UNI EN 1092-2 PN 64

Face to face: EN 558-1 serie 2, DIN 3202 F2

Installation: in any position

APPLICATIONS ° Water supply ° Drinking water °

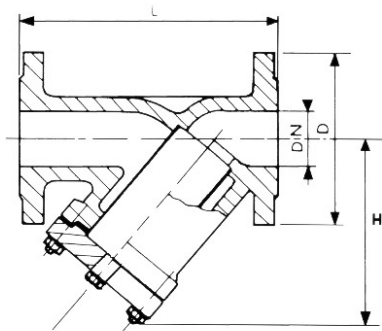
Waste water treatment plants ° Industry

The "Y" strainers in cast steel are suitable to retain and collect any impurity from the pipeline. The basket screen, manufactured in stainless steel 304, is removable for its cleaning, thanks to a plug on the cover.

Materials

body	cast steel GS-C 25, GP-240-GH
cover	cast steel GS-C 25, GP-240-GH
basket	stainless steel 304
gasket	asbestos free
painting	nitro enamel

Dimensions



DN	L mm.	H mm.	D mm.	Weight kg.
15	210	130	105	6.4
20	220	130	130	8
25	230	140	140	9.8
32	250	160	155	14.4
40	260	190	170	19.8
50	300	205	180	25.2
65	340	230	205	41.4
80	380	240	215	54
100	430	270	250	84
125	500	335	295	126
150	550	375	345	173
200	650	460	415	350

Pressure

DN	Nominal pressure		Test pressure Mpa		Max working pressure Mpa	
	mm	BAR	body	seat	120°C	400°C
15 - 200	64		9,6	7,0	6,4	3,2

