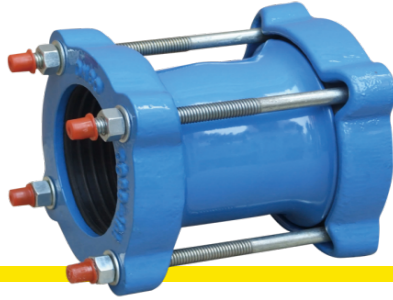




Universal couplings PN 16



Art. 2129

Flanges: universal flanges acc.to BS 4504/ ISO 7005
EN 1092 PN 16

Installation: horizontal / vertical

APPLICATIONS • Water supply • Sewerage • Industry •
Irrigation • Fire fighting systems

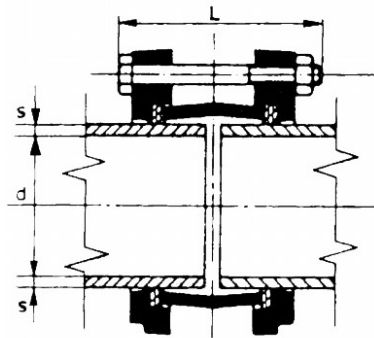
Epoxy painting suitable for drinking water applications.

The couplings are made of ductile iron and are needed in order to couple two pipes of similar or different materials with a tolerance of outside diameter. The couplings can stand a little axial compression or extension and angular deflection. Fusion bonded epoxy coated or Rilsan coated, with EPDM gasket.

Materials

body	ductile iron GGG40, EN-GJS-400
bolts	carbon steel
seat rings	EPDM
painting	epoxy / rilsan

Dimensions



DN	Outside diameter MIN - MAX mm.	D mm.	L mm.	Bolts N. & dimensions	Weight kg.
40	47,9 - 59,5	194.5	140	2x M12 x 175	3
50	59,5 - 72,0	164	140	3x M12 x 175	3.3
65	72,2 - 85,0	177	140	3x M12 x 175	3.6
80	88,1 - 102,4	197.5	140	4x M12 x 175	4.4
100	107,2 - 127,8	211.5	140	4x M12 x 175	4.1
125	132,2 - 146,0	248.5	140	4x M12 x 175	6.9
126	138,9 - 153,2	248.5	140	4x M12 x 175	6.4
150	160,0 - 181,6	274	165	4x M12 x 200	6.3
175	192,9 - 209,0	321	185	4x M12 x 200	8.5
200	218,1 - 235,0	306.5	185	4x M12 x 220	9.2
225	250,0 - 267,0	379	185	6x M12 x 220	16.4
250	272,0 - 289,0	400.5	185	6x M12 x 220	17.5
300	315,0 - 332,0	430.5	185	6x M12 x 220	20.1
301	322,9 - 339,4	451.5	185	8x M12 x 220	20.1
302	332,0 - 349,0	461	185	8x M12 x 220	20.8

