



Wafer butterfly valves for connection PN 10-16, ANSI 150



Art. 1400-1401

Suitable for flanges UNI EN 1092-2 PN 10, PN 16 and ANSI #150

Face to face length: EN 558-1 serie 20, DIN 3202 K1

Design EN 593

Installation: horizontal / vertical

APPLICATIONS • Water supply • Waste water treatment plants • Fire fighting systems • Power plants • Industry • Drinking water • Irrigation • Heating – conditioning systems • * available disc in stainless steel (fig 1401) for salty water

- Fig. 1400: disc in GGG

- Fig. 1401: disc in stainless steel AISI 316

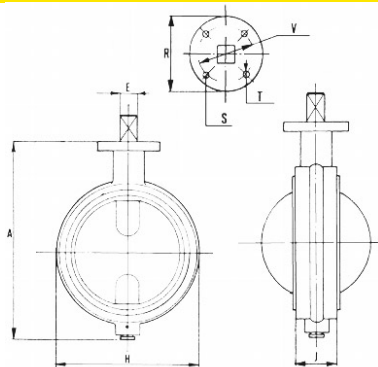
Epoxy painting suitable for drinking water applications.

The wafer butterfly valves are widely applied, thanks to their multiple functions of regulation and on-off valves. Thanks to the EPDM gasket and to the epoxy coating, the wafer butterfly valves can be installed in drinking water plants, but they can also be applied for sewage or brackish water with inox disc (fig.1401) and body not in touch with the fluid. The wafer butterfly valves are manufactured as centric type disc, they can stand both directions of fluid and are maintenance-free. With EPDM sleeve, they can stand maximum 130°C temperature. The wafer butterfly valves can be installed between welding neck flanges EN PN 10-16 and ANSI #150, without any need of additional flange gaskets. Such valves can be installed in any position. The wafer butterfly valves come with lever (standard execution); reducing gear, pneumatic operator with single or double effect, electric actuator on request.

Materials

body	ductile iron GGG40, EN-GJS-400-15
stem	stainless steel X 20 CR 13
disc	ductile iron GGG40, EN-GJS-400-15 / stainless steel 316
body lining	EPDM / NBR
painting	epoxy 200 mcr min.

Dimensions



DN	J mm.	H mm.	A mm.	Weight kg.
40	33	90	154	2
50	43	102	181	2.5
65	46	122	200	4.5
80	46	135	217	5
100	52	162	252	6
125	56	194	292	9.5
150	56	220	322	11
200	60	274	383	18
250	68	330	465	20
300	78	386	530	31
350	78	447	627	48.5
400	102	510	677	64
450	114	546	742	75
500	127	596	792	94.5
600	154	698	915	176
700	169	813	1144	250
800	195	920	1263	400
900	211	1020	1380	450
1000	229	1127	1497	650
1200	254	1344	1835	900

Pressure

DN	Nominal pressure	Test pressure Mpa		Max working pressure Mpa
mm	BAR	body	seat	80°C
40-300	16	2,4	1,76	1,6
350-1200	10	1,5	1,1	1,0



Valvotubi ind. S.r.l. ®
Via M.Monti 30/b
48123 Ravenna, Italy

ph +39 0544 452279
fax +39 0544 451148

info@valvotubi.it
www.valvotubi.it